

For reference only. See data sheet for the detailed specifications.

## Technical Specification



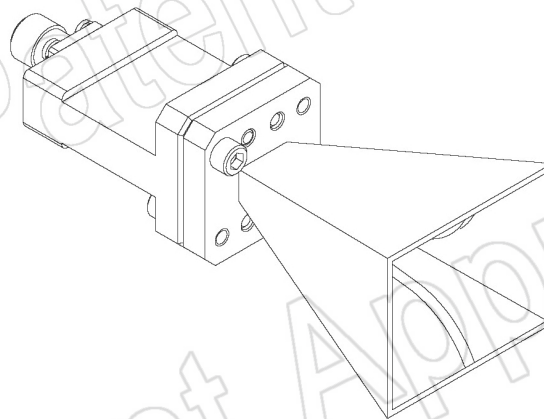
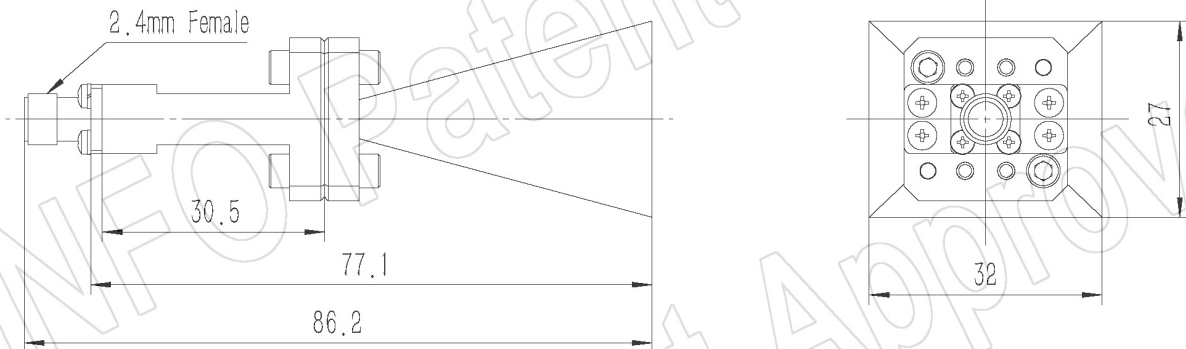
Frequency Range(GHz)	18.0 – 45.0
Gain(dBi)	15 Typ.
Polarization	Linear
3dB Beamwidth(deg)	E Plane: 42 - 20
	H Plane: 45 - 17
Cross Pol. Isolation(dB)	35 Typ.
VSWR	1.5:1 Typ.
	2.0:1 Max.
Connector	Endlaunch 2.4mm-Female
Power Handling(W CW)	10 Max.
Material	Cu
Finish	Gold Plated, Gray Paint
Size(mm)	32 x 27 x 86.2
Net Weight(Kg)	0.10 Around

PATENT ID (China)

ZL201630454584.X

## Outline Drawing (Size: mm)

Endlaunch 2.4mm-Female Output (P/N: LB-180450-E2.4F)



AINFO Inc.

Page 1 of 13

China(Beijing):  
China(Chengdu):  
USA :

Tel: (+86) 10-6266-7326,  
Tel: (+86) 28-8519-2786,  
Tel: (+1) 949-639-9688,

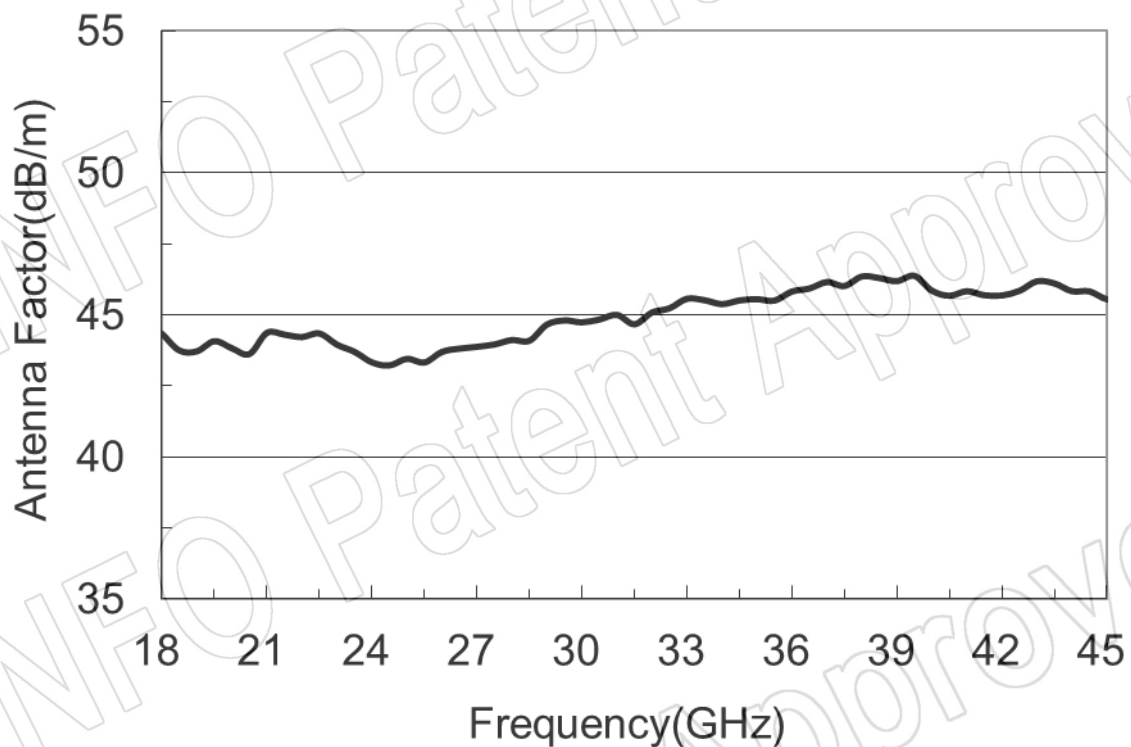
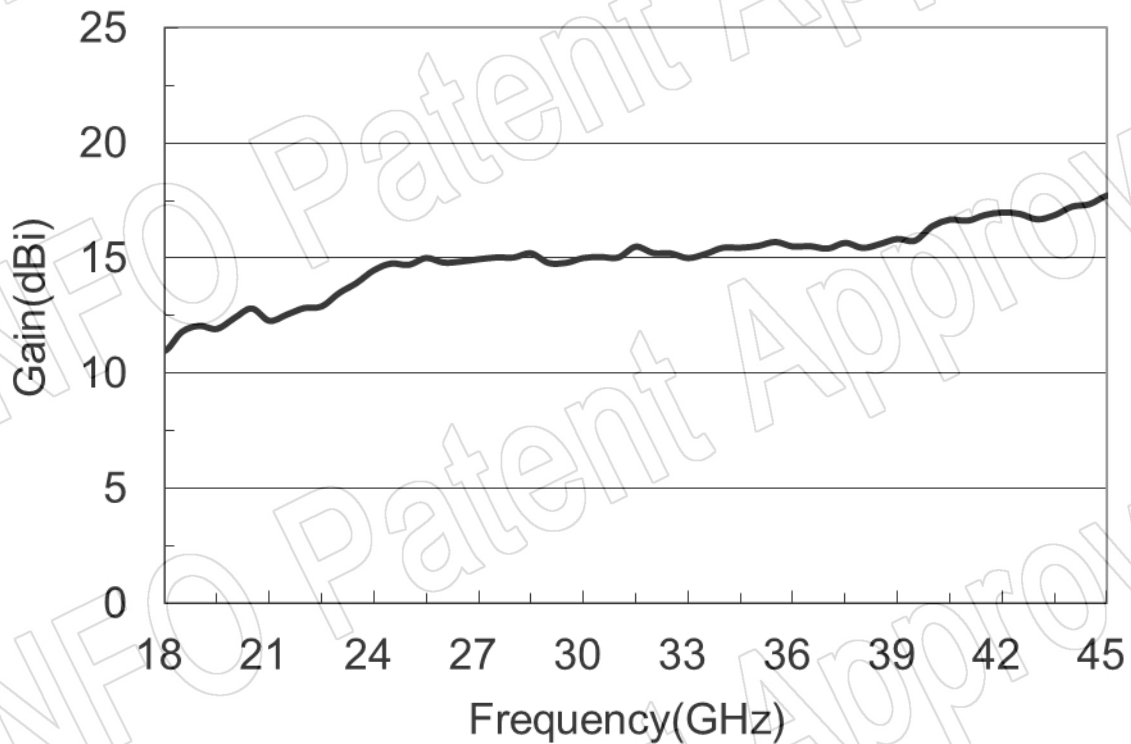
(+86) 10-6266-7327  
(+86) 28-8519-3044  
(+1) 949-639-9608

Fax: (+86) 10-6266-7379  
Fax: (+86) 28-8519-3068  
Fax: (+1) 949-639-9670

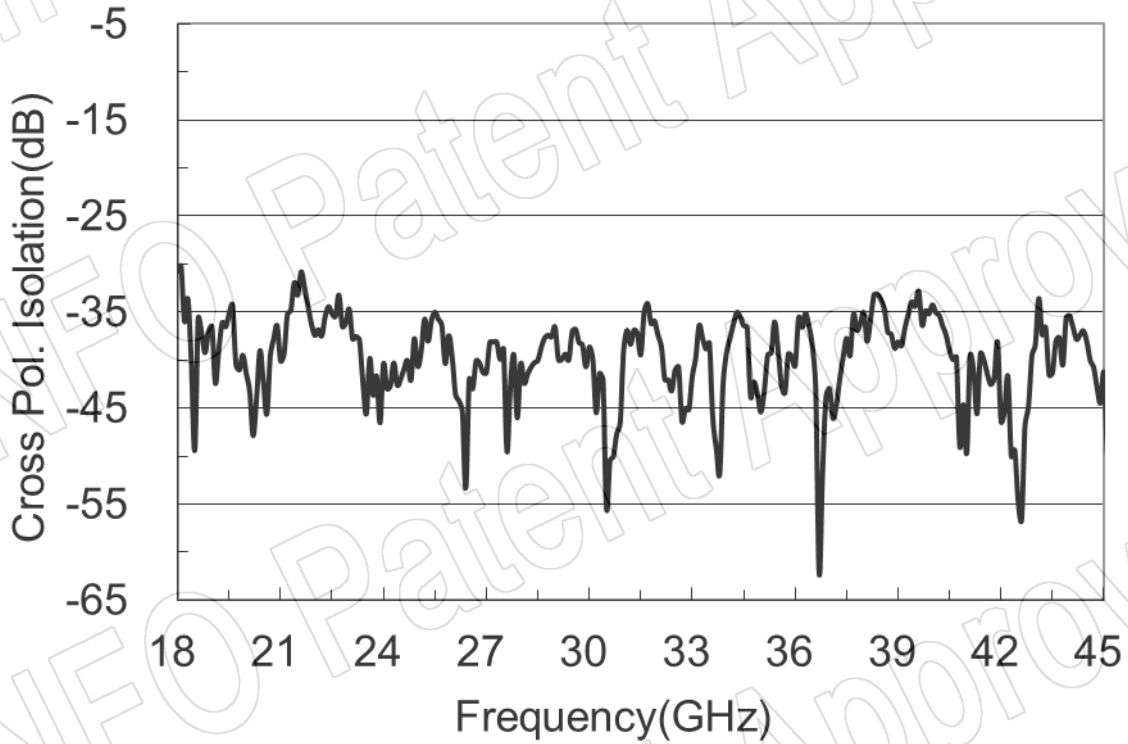
Website: [www.ainfoinc.com](http://www.ainfoinc.com)  
Email: [sales@ainfoinc.com](mailto:sales@ainfoinc.com)

## Test Results

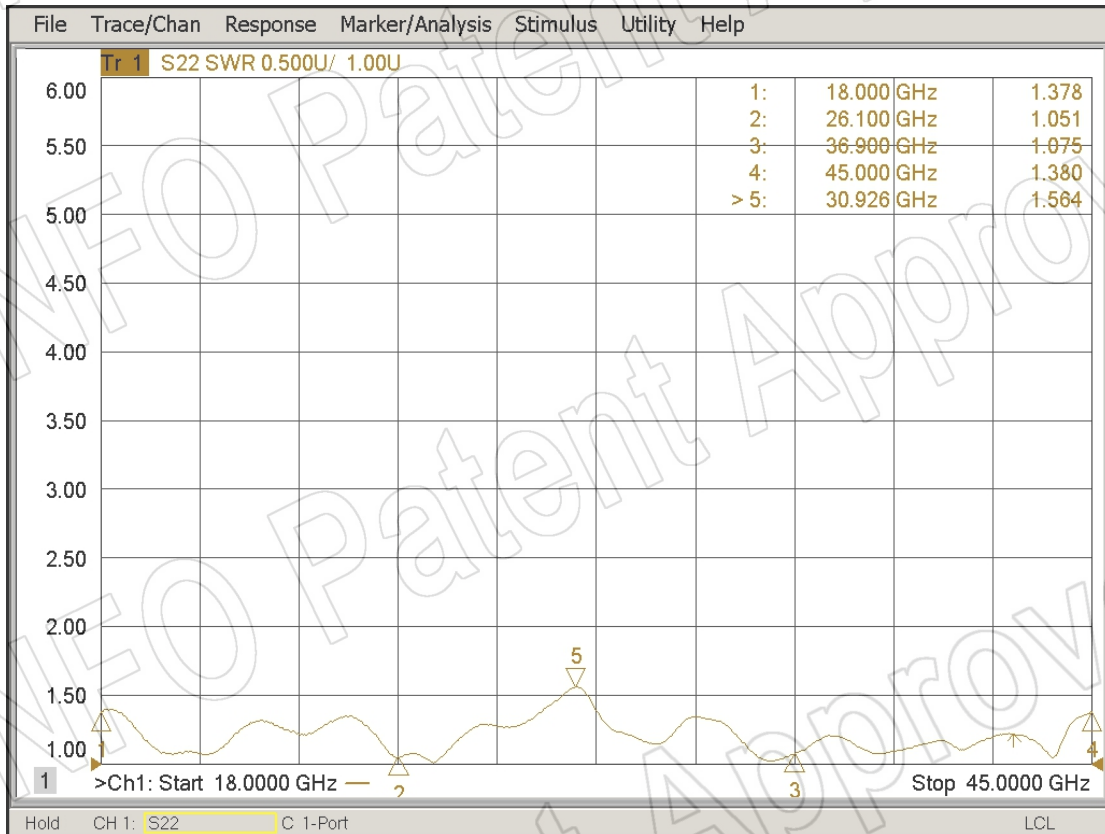
### 1. Gain & Antenna Factor



## 2. Cross Polarization Isolation



## 3. VSWR



## 4. Pattern

